

Safety spiral cables

Item description/product images

METRIC Parts



Description

Material:

Spiral cable PUR.
Eye copper or stainless steel.
Key ring steel or stainless steel.

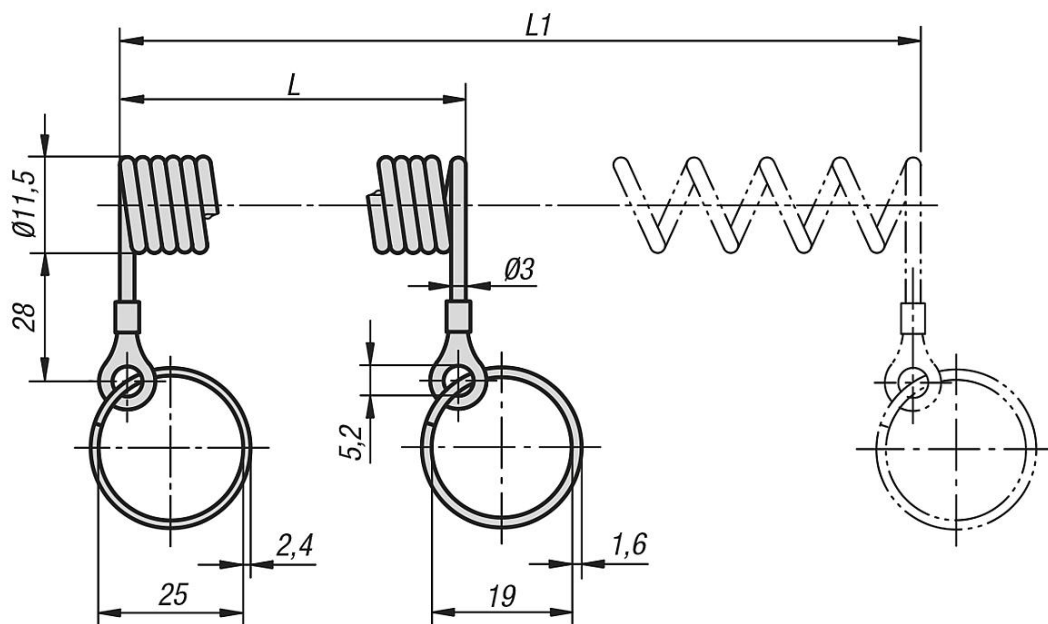
Version:

Spiral cable black.
Eye, brass galvanized - stainless steel bright.
Key ring, steel chromate - stainless steel bright.

Note:

Elastic spiral cable to secure equipment parts. Very good reset force, robust and wear-resistant.

Drawings



Safety spiral cables

Item No.	Component material	L	L1
K0367.10100	Steel	100	500
K0367.10200	Steel	200	1000
K0367.20100	Stainless steel	100	500
K0367.20200	Stainless steel	200	1000