

Ball-end thrust screws without head stainless steel with full ball

Item description/product images



Description

Material:

Screw stainless steel.

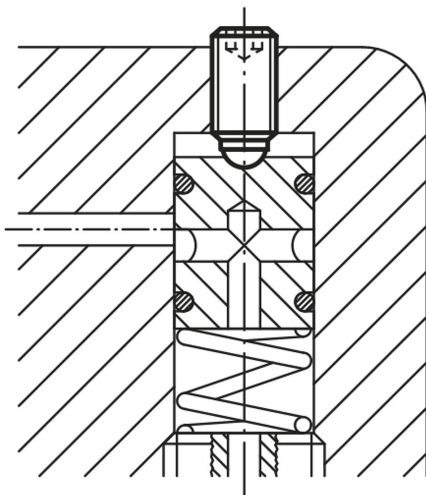
Ball stainless steel.

Version:

Stainless steel natural finish.

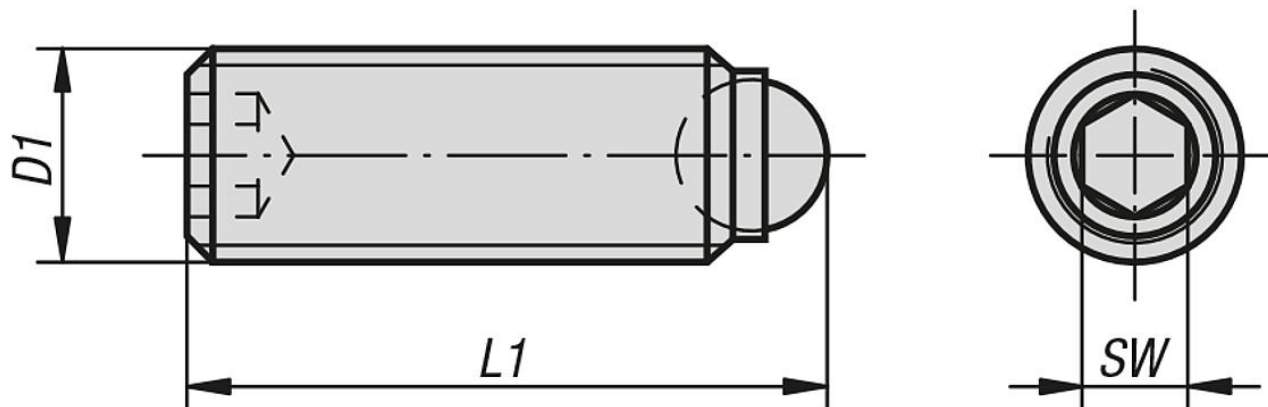
Note:

Ball-end thrust screws with full ball are used when a clean, polished contact surface is required. Longer versions have been designed especially to be glued in, allowing mechanical connecting elements with external threads to be made cost-effectively for small and medium-sized runs.



Ball-end thrust screws without head stainless steel with full ball

Drawings



Ball-end thrust screws without head, stainless steel, with full ball

Item No.	D1	L1	Ball-Ø	SW
K0384.1046	M4	6	2,5	2
K0384.1048	M4	8	2,5	2
K0384.10410	M4	10	2,5	2
K0384.10412	M4	12	2,5	2
K0384.10416	M4	16	2,5	2
K0384.10510	M5	10	3	2,5
K0384.10512	M5	12	3	2,5
K0384.10516	M5	16	3	2,5
K0384.1058	M5	8	3	2,5
K0384.10520	M5	20	3	2,5
K0384.10525	M5	25	3	2,5
K0384.10612	M6	12,8	4	3
K0384.10616	M6	16,8	4	3
K0384.10610	M6	10,8	4	3
K0384.10620	M6	20,8	4	3
K0384.10680	M6	80,8	4	3
K0384.10625	M6	25,8	4	3
K0384.10650	M6	50,8	4	3
K0384.10660	M6	60,8	4	3
K0384.10812	M8	13,2	5,5	4
K0384.10810	M8	11,2	5,5	4
K0384.10816	M8	17,2	5,5	4
K0384.10880	M8	81,2	5,5	4
K0384.10820	M8	21,2	5,5	4
K0384.10825	M8	26,2	5,5	4
K0384.10830	M8	31,2	5,5	4
K0384.10850	M8	51,2	5,5	4
K0384.10860	M8	61,2	5,5	4
K0384.11012	M10	13,7	7	5
K0384.11016	M10	17,7	7	5
K0384.11020	M10	21,7	7	5
K0384.11025	M10	26,7	7	5
K0384.11035	M10	36,7	7	5
K0384.11220	M12	22	8,5	6
K0384.11216	M12	18	8,5	6
K0384.11225	M12	27	8,5	6
K0384.11240	M12	42	8,5	6
K0384.11230	M12	32	8,5	6

Ball-end thrust screws without head stainless steel with full ball

Item No.	D1	L1	Ball-Ø	SW
K0384.11232	M12	34	8,5	6
K0384.11620	M16	23,3	12	8
K0384.11625	M16	28,3	12	8
K0384.11635	M16	38,3	12	8
K0384.11650	M16	53,3	12	8