

Grub Screws with thrust point to DIN 6332

Item description/product images

METRIC Parts



Description

Material:

Steel or stainless steel

Version:

Steel: thrust point case-hardened, black.

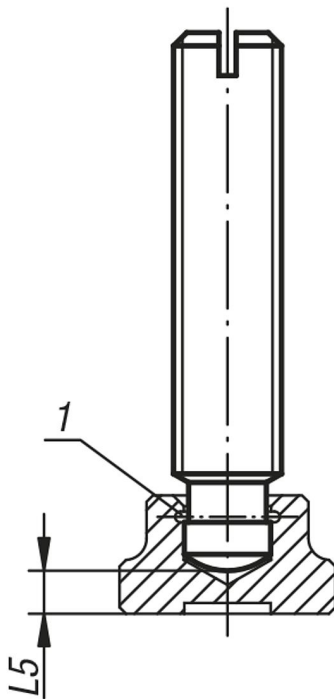
Stainless steel: natural finish.

Note:

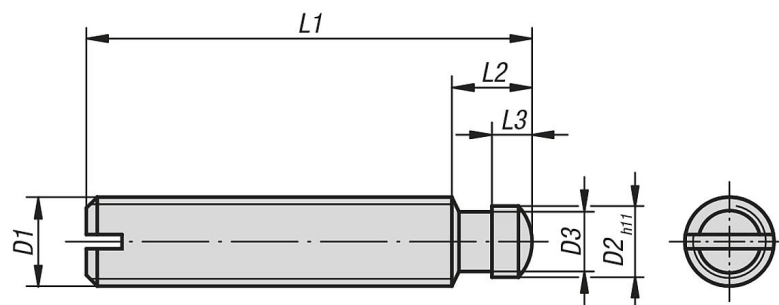
The thrust journal of the Grub Screws to DIN 6332 is designed for direct clamping as well as for use in conjunction with a Thrust Pad K0392.

Drawing reference:

1) snap ring



Drawings



Grub Screws with thrust points to DIN 6332, metric

Grub Screws with thrust point to DIN 6332

Item No. steel	Item No. stainless steel	D1	L1	D2	D3	L2	L3	L5
K0390.06X	K0390.061X	M6	30/35/40/50	4,5	4	6	2,5	2,2
K0390.08X	K0390.081X	M8	35/40/45/50/60	6	5,4	7,5	3	3
K0390.10X	K0390.101X	M10	50/55/60/65/80	8	7,2	9	4,5	3,6
K0390.12X	K0390.121X	M12	60/65/70/80/100	8	7,2	10	4,5	4,5
K0390.14X	K0390.141X	M14	60/80/100	10	9	12	5	5
K0390.16X	K0390.161X	M16	65/70/80/100/125	12	11	12	5	5,3
K0390.20X	K0390.201X	M20	80/90/100/125/150	15,5	14,4	14	5,5	5,6