

Hinges plastic, with locking lever

Item description/product images

METRIC Parts



Description

Material:

Hinge and lever fiberglass reinforced thermoplastic.

Hinge pin steel.

Mechanism steel.

Version:

Hinge black.

Pin galvanized.

Locking lever black.

Mechanism black galvanized.

Note:

The indexable lever allows the hinge to be locked in any position.

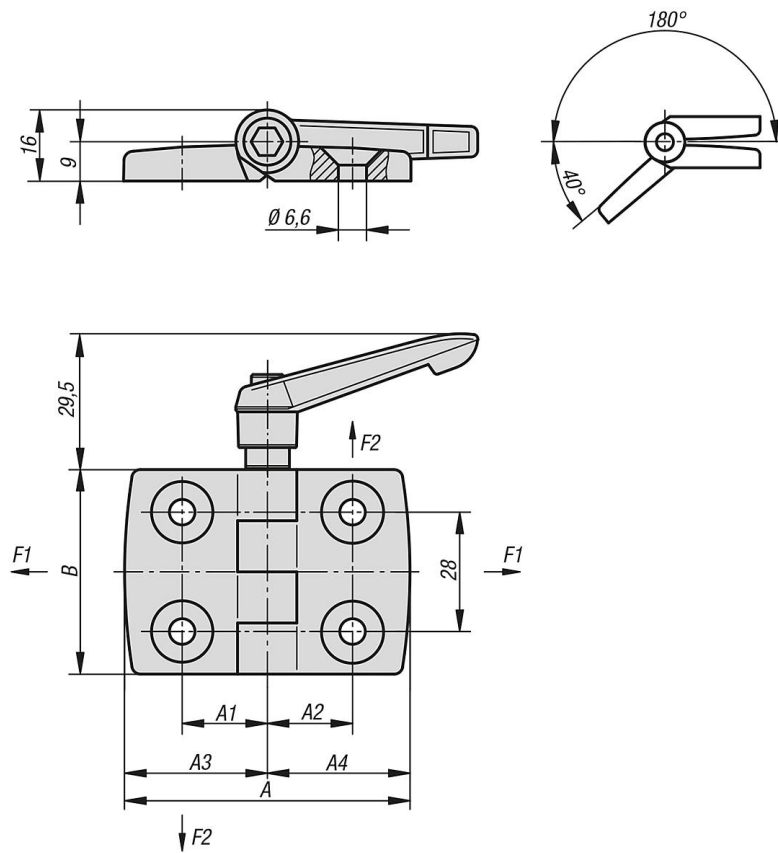
On request:

Hinges with guide tabs (slot 6, 8 and 10) for aluminum profiles.

Unequal leaf combinations.

Hinges plastic, with locking lever

Drawings



Hinges plastic, with locking lever

Item No.	A	A1	A2	A3	A4	B	F1 max. kN	F2 max. kN
K0436.251515	52	15	15	26	26	48	0,5	0,38
K0436.301818	59	17,5	17,5	29,5	29,5	48	0,7	0,4
K0436.352020	72	20	20	36	36	48	0,7	0,4
K0436.402323	77	22,5	22,5	38,5	38,5	48	0,75	0,45
K0436.452525	87	25	25	43,5	43,5	48	0,75	0,45
K0436.502828	97	27,5	27,5	48,5	48,5	48	0,8	0,425
K0436.603333	115	32,5	32,5	57,5	57,5	48	0,85	0,175