

Hinges die-cast zinc, with locking lever

Item description/product images

METRIC
Parts



Description

Material:

Hinge die-cast zinc.
Hinge pin steel.
Lever fiberglass reinforced thermoplastic.
Mechanism steel.

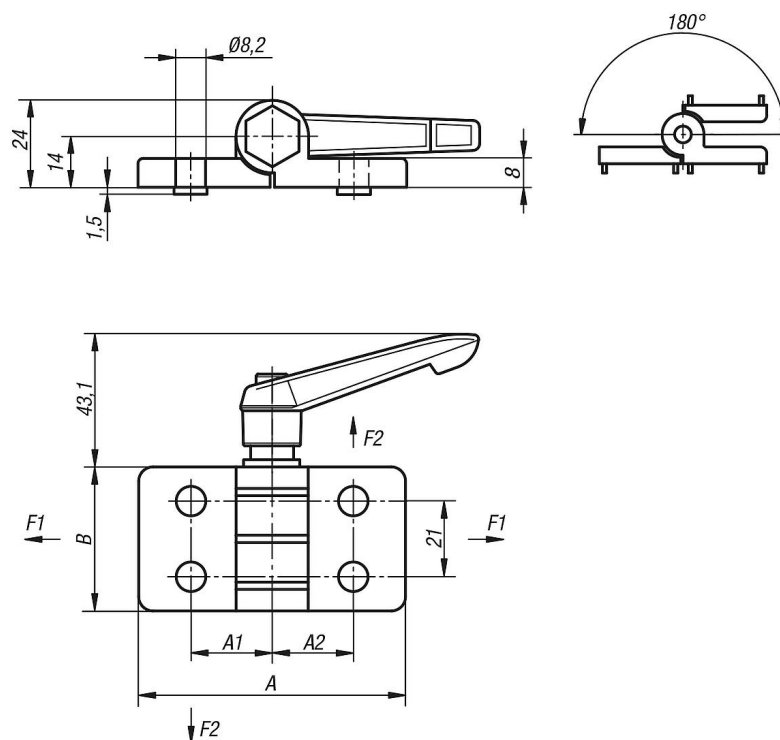
Version:

Hinge black powder-coated.
Pin galvanized.
Lever black.
Mechanism black galvanized.

Note:

The indexable lever allows the hinge to be locked in any position.
Available with or without guide tabs for aluminum profile slots.

Drawings



Hinges die-cast zinc, with locking lever

Hinges die-cast zinc, with locking lever

Item No.	A	A1	A2	B	Guide tabs for slot	F1 max. kN	F2 max. kN
K0442.40232300	74	22,5	22,5	40	-	1,5	0,65
K0442.40232308	74	22,5	22,5	40	8	1,5	0,65
K0442.40232310	74	22,5	22,5	40	10	1,5	0,65
K0442.40232500	74	22,5	25	40	-	1,5	0,65
K0442.40232508	74	22,5	25	40	8	1,5	0,65
K0442.40232510	74	22,5	25	40	10	1,5	0,65
K0442.45252500	74	25	25	40	-	1,5	0,65
K0442.45252508	74	25	25	40	8	1,5	0,65
K0442.45252510	74	25	25	40	10	1,5	0,65