

Vertical Toggle Clamps with Safety Interlock with flat foot and adjustable clamping spindle, stainless steel

Item description/product images



METRIC
Parts



Description

Material:

Stainless steel.
Grip polyamide.
Unlocking bracket TPE.

Version:

Natural finish.

Note:

Maintenance-free, high-quality swivel bushings. Consistently constant use of force when opening and closing. Optimum stability is achieved through the conical clamping arm with U-profile. Including internal bar lock with automatic safety catch.

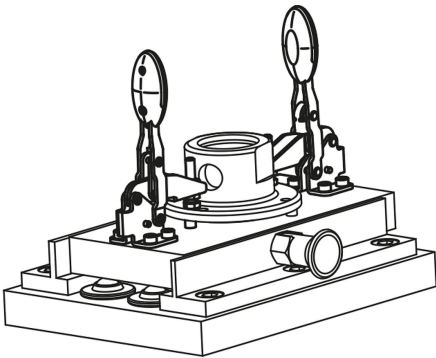
Accessory:

K0106
K0384
K0390
K0392
K0667

Drawing reference:

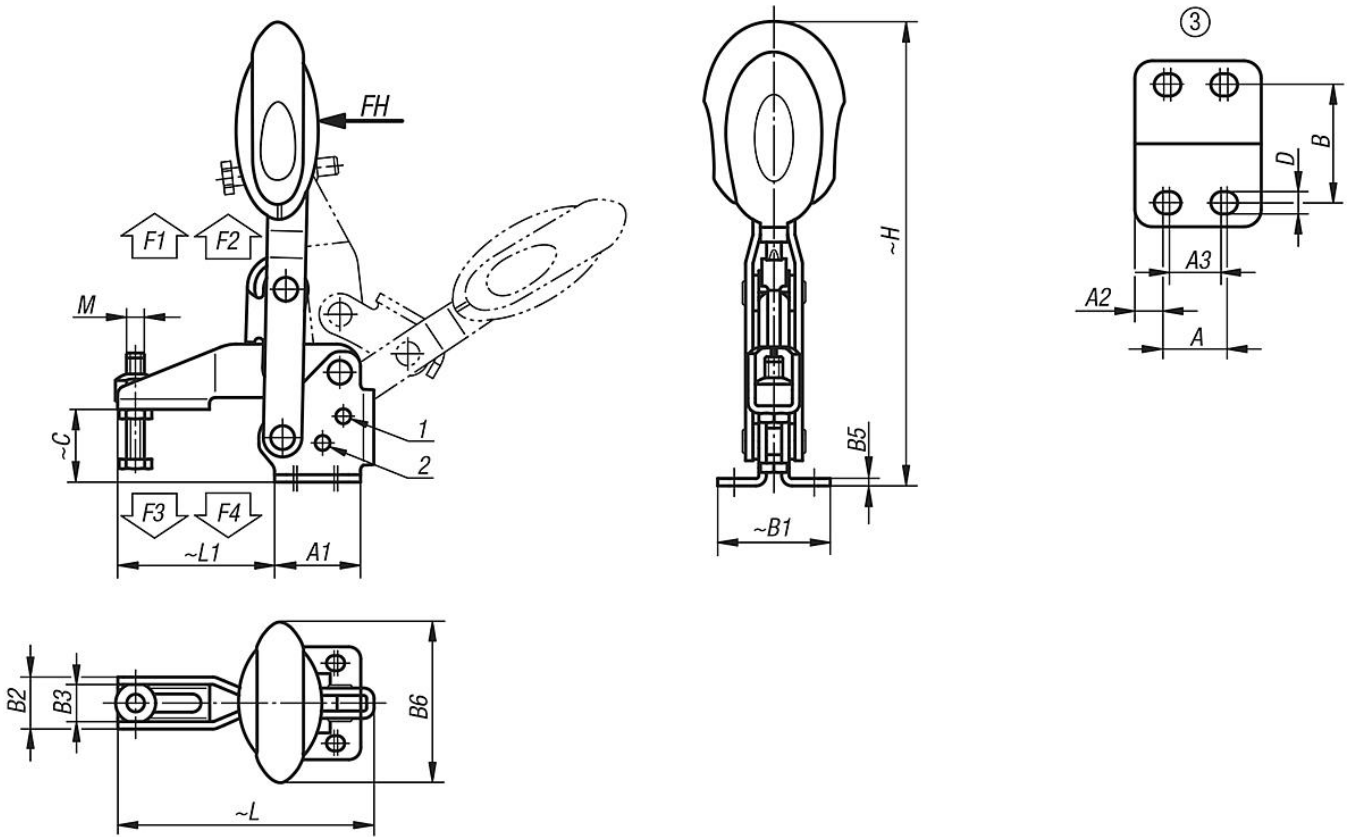
1) Stop pin Position 1
2) Stop pin Position 2

KIPPl⁺ock



Vertical Toggle Clamps with Safety Interlock with flat foot and adjustable clamping spindle, stainless steel

Drawings



Item No.	Opening angle of holding arm position 1	Opening angle of holding arm position 2	Opening angle of holding arm stop pin removed	Opening angle of handle position 1	Opening angle of handle position 2	Opening angle of handle stop pin removed	Hand force FH N	Retaining force F1 N	Holding force F2 N	Clamping force F3 N	Clamping force F4 N						
K0662.106101	56°	83°	152°	46°	56°	83°	160	1350	1650	920	1050						
K0662.108101	13°	93°	158°	26°	61°	86°	190	2000	2800	940	1350						
Item No.	hole arrangement	M	A	A1	A2	A3	B	B1	B2	B3	B5	B6	C	D	H	L	L1
K0662.106101	3	M6x35	14	29	7	12	27	38	17,5	12,5	2,5	53,4	24,9	5,5	163	86,5	53
K0662.108101	3	M8x45	21	39	9	19	32	45	20,6	15,6	2,5	51,1	32,7	6,8	191,4	107	62