

Bushing for Ball Lock Pins

Item description/product images

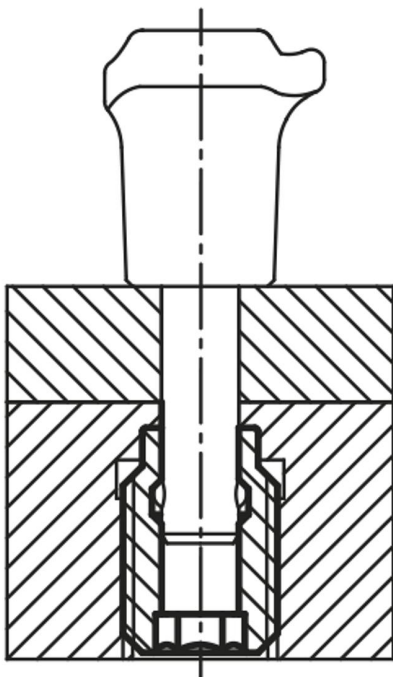


Description

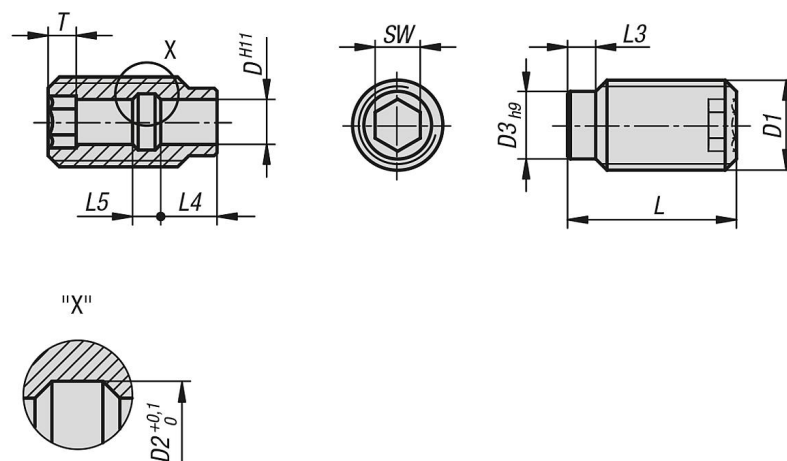
Material:
Stainless steel 1.4305.

Version:
Steel parts bright.

- Benefits:**
- The bushing is centered by the centering collar.
 - easy and reliable positioning.
 - can be screwed into various materials.
 - usable from both ends.



Drawings



Bushing for Ball Lock Pins

Bushings for Ball Lock Pins, metric

Item No.	D	D1	D2	D3	L	L3	L4	L5	SW	T
K0724.10512	5	M12	6	9	25	4	7	3	5	4
K0724.10616	6	M16	7,5	12	30	5	10	5	6	5
K0724.10816	8	M16	10	12	30	5	10	5	8	5
K0724.11024	10	M24	13	18	35	6	8	7	10	6
K0724.11224	12	M24	15	18	35	6	8	7	12	6
K0724.11630	16	M30	20	24	40	8	11	9	16	7