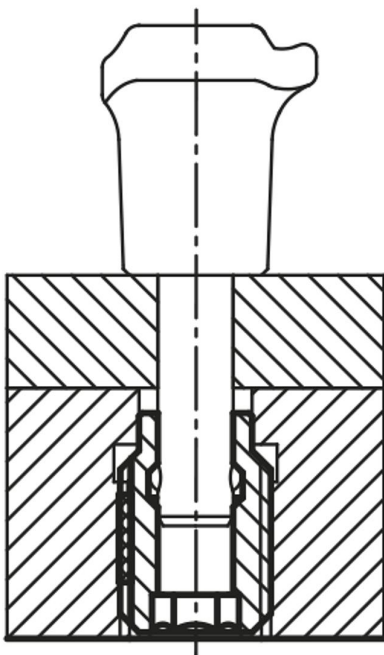


## Bushing for ball lock pins with LONG-LOK thread lock

### Item description/product images



### Description

**Material:**

Stainless steel 1.4305

LONG-LOK thread system in nylon

**Version:**

Steel parts natural finish.

**Note:**

Ball lock pin bushings are ideal for the easy and quick positioning of ball lock pins.

**Benefits:**

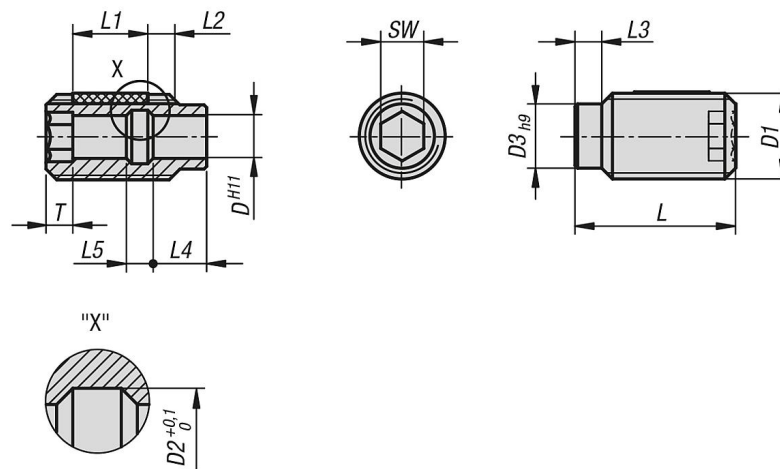
- the bushing is centered by the centering collar.
- easy and reliable positioning.
- can be screwed into various materials.
- usable from both ends
- the LONG-LOK thread lock allows the depth to be matched exactly to existing components, no locknut is required.

**Drawing reference:**

L2 = approx. 2x thread pitch

# Bushing for ball lock pins with LONG-LOK thread lock

## Drawings



### Bushings for ball locking pins, with LONG-LOK thread lock, metric

Item No.	D	D1	D2	D3	L	L1	L3	L4	L5	SW	T
K0724.105121	5	M12	6	9	25	10	4	7	3	5	4
K0724.106161	6	M16	7,5	12	30	14	5	10	5	6	5
K0724.108161	8	M16	10	12	30	14	5	10	5	8	5
K0724.110241	10	M24	13	18	35	14	6	8	7	10	6
K0724.112241	12	M24	15	18	35	14	6	8	7	12	6
K0724.116301	16	M30	20	24	40	14	8	11	9	16	7