

Spherical washers DIN 6319, edition 10/01

Item description/product images

METRIC
Parts



Description

Material:

Mild steel or stainless steel.
Style G high carbon steel tempered to HV 390 ±40.

Version:

Steel version case hardened.
Stainless steel version bright, not hardened.

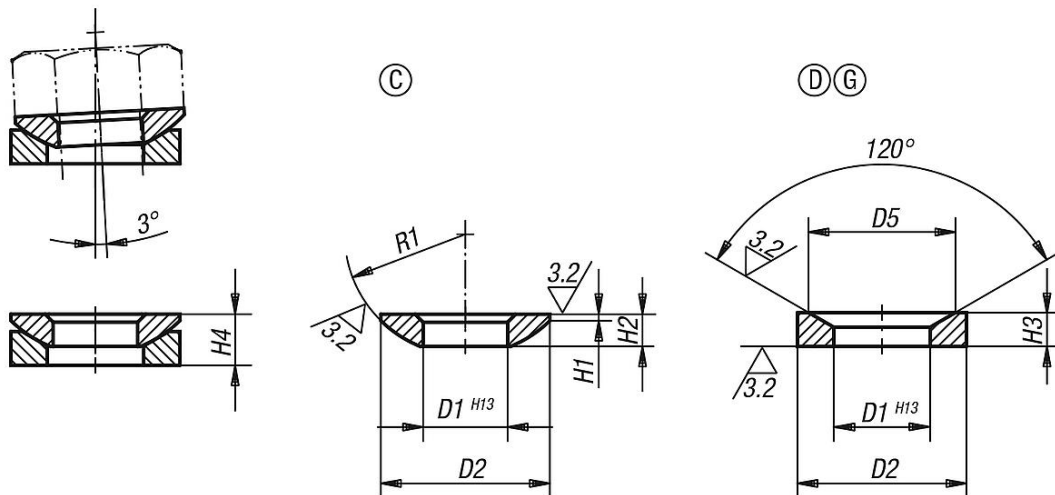
Note:

Conical seat style G (available on request) should be used over slots.

Drawing reference:

Style C: spherical washer
Style D: conical seat
Style G: conical seat for slots

Drawings



Spherical Washers Style C, DIN 6319, edition 10/01

Item No. mild steel	Item No. stainless steel	Style	D1	D2	H1	H2	R1	for screw Ø	Load rating max. kN (static load only)
K0729.105	-	C	5,25	10,5	0,4	2	7,5	5	6,5
K0729.106	K0729.0106	C	6,4	12	0,7	2,3	9	6	9/6
K0729.108	K0729.0108	C	8,4	17	0,6	3,2	12	8	17/12
K0729.110	K0729.0110	C	10,5	21	0,8	4	15	10	26/16
K0729.112	K0729.0112	C	13	24	1,1	4,6	17	12	38/24
K0729.114	-	C	15	28	1,2	5	22	14	53
K0729.116	K0729.0116	C	17	30	1,3	5,3	22	16	73/45
K0729.120	K0729.0120	C	21	36	2	6,3	27	20	117/71
K0729.124	K0729.0124	C	25	44	2,4	8,2	32	24	168/105
K0729.130	K0729.0130	C	31	56	3,6	11,2	41	30	269/191
K0729.136	-	C	37	68	4,6	14	50	36	394/-
K0729.142	K0729.0142	C	43	78	6,5	17	58	-	542/-
K0729.148	-	C	50	92	8	21	67	48	714/-

Spherical washers DIN 6319, edition 10/01

Item No. mild steel	Item No. stainless steel	Style	D1	D2	H1	H2	R1	for screw Ø	Load rating max. kN (static load only)
K0729.156	-	C	58	103	9,5	23	79	56	960
K0729.164	-	C	66	120	12	27	93	64	1269
-	K0729.0136	C	37	68	4,6	14	50	-	394/-
-	K0729.0148	C	50	92	8	21	67	-	714/-

Conical Seats Style D, DIN 6319, edition 10/01

Item No. mild steel	Item No. stainless steel	Style	D1	D2	D5	H3	H4 with conical seat	for screw Ø	Load rating max. kN (static load only)
K0729.205	-	D	6	10,5	9,25	2,1	3,1	5	6,5
K0729.206	K0729.0206	D	7,1	12	11	2,8	4	6	9/6
K0729.208	K0729.0208	D	9,6	17	14,5	3,5	5,6	8	17/12
K0729.210	K0729.0210	D	12	21	18,5	4,2	6,3	10	26/16
K0729.212	K0729.0212	D	14,2	24	20	5	8	12	38/24
K0729.214	-	D	16,5	28	24,8	-	8,2	-	53
K0729.216	K0729.0216	D	19	30	26	6,2	9,3	16	73/45
K0729.220	K0729.0220	D	23,2	36	31	7,5	11,6	20	117/71
K0729.224	K0729.0224	D	28	44	37	9,5	15	24	168/105
K0729.230	K0729.0230	D	35	56	49	12	18,9	30	269/191
K0729.236	-	D	42	68	60	15	23,3	36	394/-
K0729.242	-	D	49	78	70	18	28,3	42	542/-
K0729.248	-	D	56	92	82	22	35,2	48	714/-
K0729.256	-	D	65	103	92	25	39,7	56	960
K0729.264	-	D	75	120	110	30	46,5	64	1269
-	K0729.0236	D	42	68	60	-	23,3	-	394/-
-	K0729.0242	D	49	78	70	-	28,3	-	542/-
-	K0729.0248	D	56	92	82	-	35,2	-	714/-