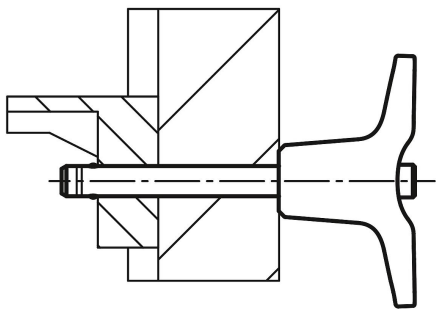


Ball Lock Pins with T-grip, self-locking, precipitation hardened

Item description/product images

METRIC Parts



Description

Material:

Grip die-cast zinc.
 Push button stainless steel 1.4305 (AISI 303 equivalent).
 Pin stainless steel 1.4542 (AISI "630" equivalent).
 Balls stainless steel 1.4125 (AISI 440C equivalent).
 Spring stainless steel 1.4310 (AISI 310 equivalent).

Version:

Grip black.
 Stainless steel bright.

Note:

Ball Lock Pins are used for quick and easy fastening and joining of parts and workpieces. The two balls are disengaged by pressing the push button and the pin can be slipped into holes in the workpieces. Release the button to lock the balls and secure the connection.

Shearing force double shear (F) = $S \cdot \tau \cdot aB$ max.

1.4542 stainless steel ball lock pins have identification grooves.

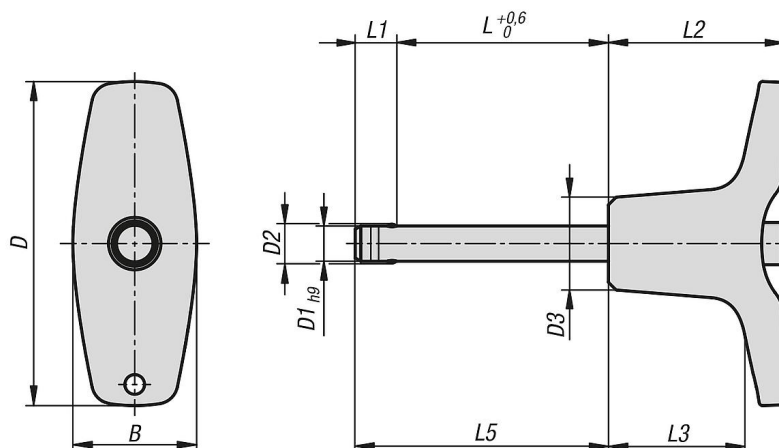
Benefits:

Higher loading in comparison to the standard ball lock pins.
 The pins made from 1.4542 stainless steel is hardened, has a higher shear resistance and is extremely durable.

Accessory:

Bushing for ball lock pins K0724
 Safety Spiral Cable K0367
 Retaining Cable with eye K0367
 Pin Retaining Ring K0367

Drawings



Ball Lock Pins with T-grip, self-locking, precipitation hardened

Ball Lock Pins with T-grip, self-locking, precipitation hardened

| Item No. | B | D | D1 | D2 | D3 | L | L1 | L2 | L3 | L5 | Receiving hole H11 | Shearing force double shear max. kN |
|-----------------|------|------|----|------|------|----|------|------|------|------|--------------------|-------------------------------------|
| K0793.214605010 | 17,6 | 46 | 5 | 5,5 | 13,2 | 10 | 5,9 | 25 | 19,4 | 15,9 | 5 | 24 |
| K0793.214605015 | 17,6 | 46 | 5 | 5,5 | 13,2 | 15 | 5,9 | 25 | 19,4 | 20,9 | 5 | 24 |
| K0793.214605020 | 17,6 | 46 | 5 | 5,5 | 13,2 | 20 | 5,9 | 25 | 19,4 | 25,9 | 5 | 24 |
| K0793.214605025 | 17,6 | 46 | 5 | 5,5 | 13,2 | 25 | 5,9 | 25 | 19,4 | 30,9 | 5 | 24 |
| K0793.214605030 | 17,6 | 46 | 5 | 5,5 | 13,2 | 30 | 5,9 | 25 | 19,4 | 35,9 | 5 | 24 |
| K0793.214606010 | 17,6 | 46 | 6 | 6,85 | 13,2 | 10 | 6,8 | 25 | 19,4 | 16,8 | 6 | 35 |
| K0793.214606015 | 17,6 | 46 | 6 | 6,85 | 13,2 | 15 | 6,8 | 25 | 19,4 | 21,8 | 6 | 35 |
| K0793.214606020 | 17,6 | 46 | 6 | 6,85 | 13,2 | 20 | 6,8 | 25 | 19,4 | 26,8 | 6 | 35 |
| K0793.214606025 | 17,6 | 46 | 6 | 6,85 | 13,2 | 25 | 6,8 | 25 | 19,4 | 31,8 | 6 | 35 |
| K0793.214606030 | 17,6 | 46 | 6 | 6,85 | 13,2 | 30 | 6,8 | 25 | 19,4 | 36,8 | 6 | 35 |
| K0793.214606035 | 17,6 | 46 | 6 | 6,85 | 13,2 | 35 | 6,8 | 25 | 19,4 | 41,8 | 6 | 35 |
| K0793.214606040 | 17,6 | 46 | 6 | 6,85 | 13,2 | 40 | 6,8 | 25 | 19,4 | 46,8 | 6 | 35 |
| K0793.214606045 | 17,6 | 46 | 6 | 6,85 | 13,2 | 45 | 6,8 | 25 | 19,4 | 51,8 | 6 | 35 |
| K0793.214606050 | 17,6 | 46 | 6 | 6,85 | 13,2 | 50 | 6,8 | 25 | 19,4 | 56,8 | 6 | 35 |
| K0793.216308020 | 23 | 62,9 | 8 | 9,5 | 17,3 | 20 | 7,8 | 33 | 24,4 | 27,8 | 8 | 63 |
| K0793.216308025 | 23 | 62,9 | 8 | 9,5 | 17,3 | 25 | 7,8 | 33 | 24,4 | 32,8 | 8 | 63 |
| K0793.216308030 | 23 | 62,9 | 8 | 9,5 | 17,3 | 30 | 7,8 | 33 | 24,4 | 37,8 | 8 | 63 |
| K0793.216308035 | 23 | 62,9 | 8 | 9,5 | 17,3 | 35 | 7,8 | 33 | 24,4 | 42,8 | 8 | 63 |
| K0793.216308040 | 23 | 62,9 | 8 | 9,5 | 17,3 | 40 | 7,8 | 33 | 24,4 | 47,8 | 8 | 63 |
| K0793.216308045 | 23 | 62,9 | 8 | 9,5 | 17,3 | 45 | 7,8 | 33 | 24,4 | 52,8 | 8 | 63 |
| K0793.216308050 | 23 | 62,9 | 8 | 9,5 | 17,3 | 50 | 7,8 | 33 | 24,4 | 57,8 | 8 | 63 |
| K0793.216310020 | 23 | 62,9 | 10 | 12 | 17,3 | 20 | 8,9 | 33 | 24,4 | 28,9 | 10 | 100 |
| K0793.216310025 | 23 | 62,9 | 10 | 12 | 17,3 | 25 | 8,9 | 33 | 24,4 | 33,9 | 10 | 100 |
| K0793.216310030 | 23 | 62,9 | 10 | 12 | 17,3 | 30 | 8,9 | 33 | 24,4 | 38,9 | 10 | 100 |
| K0793.216310035 | 23 | 62,9 | 10 | 12 | 17,3 | 35 | 8,9 | 33 | 24,4 | 43,9 | 10 | 100 |
| K0793.216310040 | 23 | 62,9 | 10 | 12 | 17,3 | 40 | 8,9 | 33 | 24,4 | 48,9 | 10 | 100 |
| K0793.216310045 | 23 | 62,9 | 10 | 12 | 17,3 | 45 | 8,9 | 33 | 24,4 | 53,9 | 10 | 100 |
| K0793.216310050 | 23 | 62,9 | 10 | 12 | 17,3 | 50 | 8,9 | 33 | 24,4 | 58,9 | 10 | 100 |
| K0793.216310060 | 23 | 62,9 | 10 | 12 | 17,3 | 60 | 8,9 | 33 | 24,4 | 68,9 | 10 | 100 |
| K0793.218212025 | 33 | 81,8 | 12 | 14,5 | 26,3 | 25 | 9,9 | 39,5 | 28,8 | 34,9 | 12 | 144 |
| K0793.218212030 | 33 | 81,8 | 12 | 14,5 | 26,3 | 30 | 9,9 | 39,5 | 28,8 | 39,9 | 12 | 144 |
| K0793.218212035 | 33 | 81,8 | 12 | 14,5 | 26,3 | 35 | 9,9 | 39,5 | 28,8 | 44,9 | 12 | 144 |
| K0793.218212040 | 33 | 81,8 | 12 | 14,5 | 26,3 | 40 | 9,9 | 39,5 | 28,8 | 49,9 | 12 | 144 |
| K0793.218212045 | 33 | 81,8 | 12 | 14,5 | 26,3 | 45 | 9,9 | 39,5 | 28,8 | 54,9 | 12 | 144 |
| K0793.218212050 | 33 | 81,8 | 12 | 14,5 | 26,3 | 50 | 9,9 | 39,5 | 28,8 | 59,9 | 12 | 144 |
| K0793.218212060 | 33 | 81,8 | 12 | 14,5 | 26,3 | 60 | 9,9 | 39,5 | 28,8 | 69,9 | 12 | 144 |
| K0793.218212070 | 33 | 81,8 | 12 | 14,5 | 26,3 | 70 | 9,9 | 39,5 | 28,8 | 79,9 | 12 | 144 |
| K0793.218212080 | 33 | 81,8 | 12 | 14,5 | 26,3 | 80 | 9,9 | 39,5 | 28,8 | 89,9 | 12 | 144 |
| K0793.218216030 | 33 | 81,8 | 16 | 19 | 26,3 | 30 | 13,1 | 39,5 | 28,8 | 43,1 | 16 | 257 |
| K0793.218216035 | 33 | 81,8 | 16 | 19 | 26,3 | 35 | 13,1 | 39,5 | 28,8 | 48,1 | 16 | 257 |
| K0793.218216040 | 33 | 81,8 | 16 | 19 | 26,3 | 40 | 13,1 | 39,5 | 28,8 | 53,1 | 16 | 257 |
| K0793.218216045 | 33 | 81,8 | 16 | 19 | 26,3 | 45 | 13,1 | 39,5 | 28,8 | 58,1 | 16 | 257 |
| K0793.218216050 | 33 | 81,8 | 16 | 19 | 26,3 | 50 | 13,1 | 39,5 | 28,8 | 63,1 | 16 | 257 |
| K0793.218216060 | 33 | 81,8 | 16 | 19 | 26,3 | 60 | 13,1 | 39,5 | 28,8 | 73,1 | 16 | 257 |
| K0793.218216070 | 33 | 81,8 | 16 | 19 | 26,3 | 70 | 13,1 | 39,5 | 28,8 | 83,1 | 16 | 257 |
| K0793.218216080 | 33 | 81,8 | 16 | 19 | 26,3 | 80 | 13,1 | 39,5 | 28,8 | 93,1 | 16 | 257 |