

## Tubular handles compact

### Item description/product images

#### METRIC Parts



### Description

#### Material:

Aluminum EN AW-6060

#### Version:

Anodized natural tone or powder-coated black, ruby red RAL 3003 or traffic red RAL 3020.

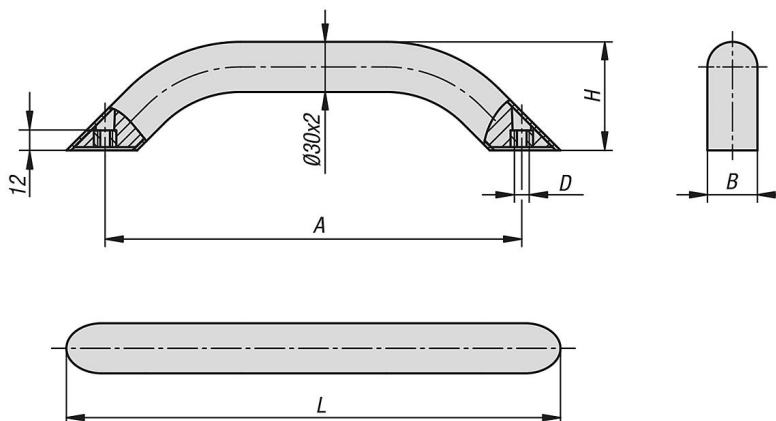
#### Note:

The grip impresses with a solid appearance combined with low weight. Closed design due to rear fastening.

#### Assembly:

When fitting, both screws must be screwed in first before tightening.

### Drawings



### Tubular handles compact

Item No.	Main color	A	B	D	H	L	Load capacity N
K0795.250083	natural anodized	250	30	M8	65	296,4	1000
K0795.300083	natural anodized	300	30	M8	65	346,4	1000
K0795.400083	natural anodized	400	30	M8	65	446,4	1000
K0795.500083	natural anodized	500	30	M8	65	546,4	1000
K0795.2500827	red RAL3003 powder-coated	250	30	M8	65	296,4	1000
K0795.3000827	red RAL3003 powder-coated	300	30	M8	65	346,4	1000
K0795.4000827	red RAL3003 powder-coated	400	30	M8	65	446,4	1000
K0795.5000827	red RAL3003 powder-coated	500	30	M8	65	546,4	1000
K0795.2500884	red RAL 3020 powder-coated	250	30	M8	65	296,4	1000
K0795.3000884	red RAL 3020 powder-coated	300	30	M8	65	346,4	1000
K0795.4000884	red RAL 3020 powder-coated	400	30	M8	65	446,4	1000
K0795.5000884	red RAL 3020 powder-coated	500	30	M8	65	546,4	1000
K0795.250081	black powdercoated	250	30	M8	65	296,4	1000
K0795.300081	black powdercoated	300	30	M8	65	346,4	1000
K0795.400081	black powdercoated	400	30	M8	65	446,4	1000
K0795.500081	black powdercoated	500	30	M8	65	546,4	1000

