

Knurled Knobs aluminum

Item description/product images

METRIC Parts



Description

Material:

Body aluminum.
Cap thermoplastic PA6.
Grub screw stainless steel.

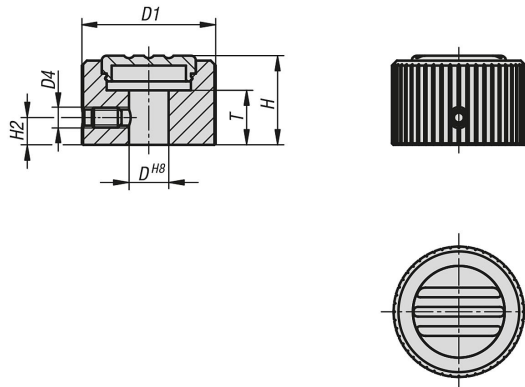
Version:

Body black anodized.
Cap light gray RAL 7035.
Grub screw bright.

On request:

Other internal threads, colors and special versions at an additional charge.

Drawings



Knurled Knobs aluminum

Item No.	D	D1	D4	H	H2	T
K1099.27085	8	27	M4	18	5,5	11
K1099.27105	10	27	M4	18	5,5	11
K1099.34105	10	34	M5	21	7	11
K1099.34125	12	34	M5	21	7	11
K1099.42125	12	42	M5	24,5	8,5	15
K1099.42145	14	42	M5	24,5	8,5	15